

SERIES SCVO

**PARTS
AND
OPERATER
MANUAL**

**SHATTERTILL
CULTIVATORS
FOR
VINEYARD
AND
ORCHARD**

Domries Enterprises,Inc

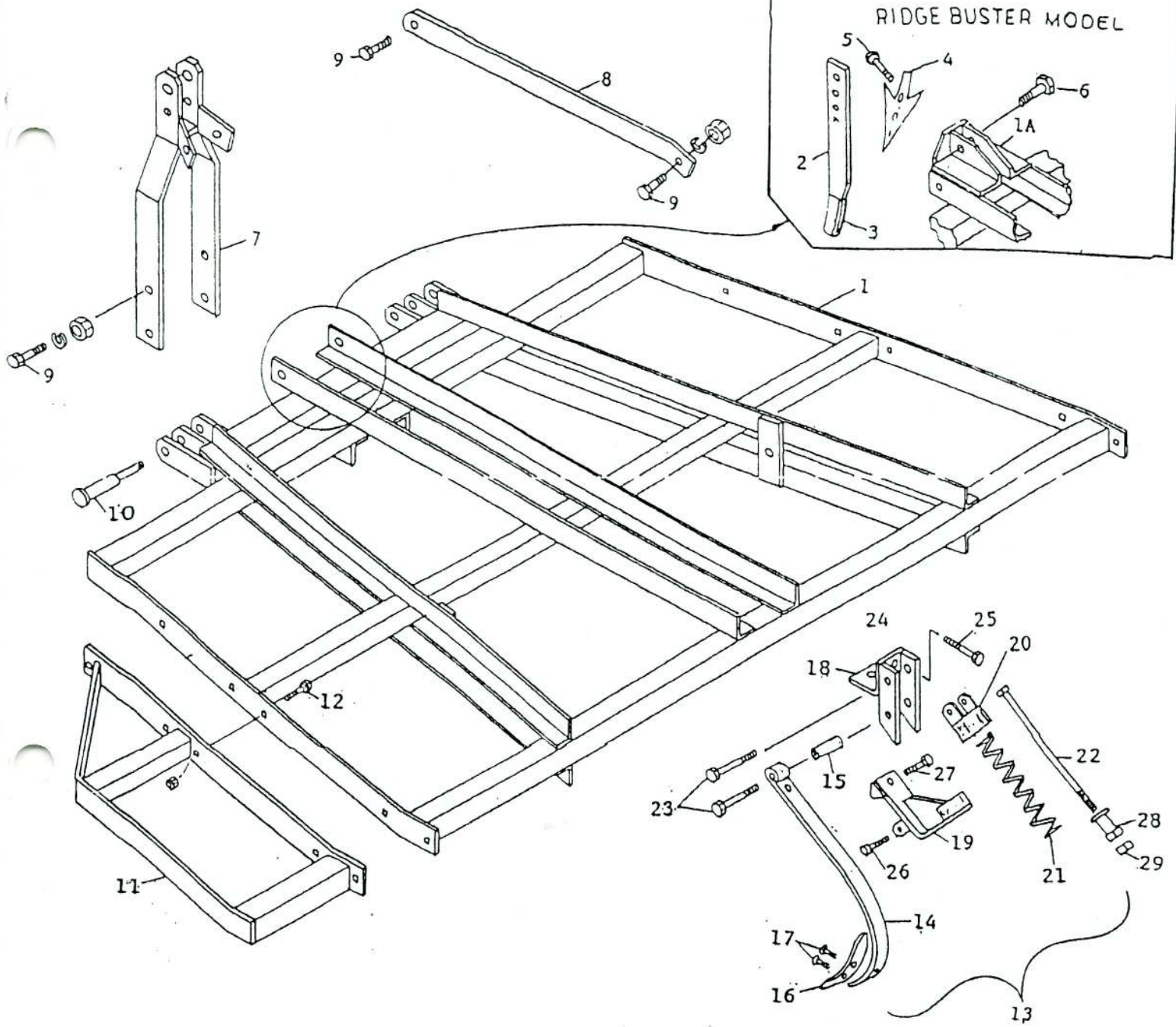
12281 Rd 29

Madera,Ca 93638

Phone # (559)673-9143 Fax # (559) 673-4110

Visit Our web-Site at www.domriesentinc.com

Section 27



Sheet SC-1200

Shattertill Cultivator
SC Series

Domries Enterprises, Inc.
12281 Road 29
Madera, California
93638

**Domries
Farm Machinery
Steel Fabrication**

SC Series -3 pt. Lift
Shattertill Cultivator
Parts List

Ref No	Part Number	Description	Wt.
1	SCP-1	Main Frame Standard - 6 ft.	310
	SCP-2	Main Frame Standard - 7 ft.	330
	SCP-3	Main Frame Standard - 8 ft.	350
	SCP-4	Main Frame Standard - 10ft.	370
	SCP-5	Main Frame Standard - 12 ft.	400
1a	SCP-6	Main Frame Ridge Buster Model - 6 ft.	344
	SCP-7	Main Frame Ridge Buster Model - 7 ft.	362
	SCP-8	Main Frame Ridge Buster Model - 8 ft.	380
	SCP-9	Main Frame Ridge Buster Model - 10 ft.	400
	SCP-10	Main Frame Ridge Buster Model - 12 ft.	425
2	SCP-15	Ridge Buster Shank	20
3	SCP-16	Shank "U" (Weld On)	2
4	SCP-17	Shank Shovel	8
5	SCP-18	Plow Bolt 7/16 x 3 for Shovel	.3
6	SCP-19	Mach. Bolt 5/8 x 2 3/4 for Shovel	.3
7	SCP-20	"A" Frame	33
8	SCP-21	"A" Frame Brace 2 per Mach.	each 16
9	SCP-22	Bolt 5/8 x 1 3/4 - "A" Frame and Brace	each .3
10	XLD-29	Lift Pin Cat. # 1 and # 2	each 2
11	SCP-24	Extension Frame 1 ft. R.H.	36
	SCP-25	Extension Frame 1 ft. L.H.	36
	SCP-26	Extension Frame 1 1/2 ft. R.H.	45
	SCP-27	Extension Frame 1 1/2 ft. L.H.	45
12	SCP-28	Carriage Bolt 1/2 x 1 1/2 Extension Mtg.	.3
13	SCP-29	Complete Shattertill Shank Assembly	28
14	SCP-30	Spring Steel Shank Only 1/2 x 1 3/4 w/ Rolled Eye	7
15	SCP-31	Bushing - For Shank Rolled Eye	.1
16	SCP-32	Point	1.4
17	SCP-33	Plow Bolt 7/16 x 1 3/4 Grade-5 2 per Point	each .3
18	SCP-34	Weldment - Shank Housing	5
19	SCP-35	Housing - Rear Spring Cup & Frame	4.5
20	SCP-36	Cup - Upper Cup w/ Ears	1
21	SCP-37	Spring - 2 1/2 od x 11" Long	3.5
22	SCP-38	Bolt - Spring Retainer 1/2 x 12 1/2	1

Domries Enterprises Inc.
12281 Road 29
Madera, CA. 93638
Phone (559) 673-9143
Fax (559) 673-4110

Ref No	Part Number	Description	Wt.
23	SCP-39	Bolts - Shank & Cup - $\frac{1}{2}$ x $3 \frac{1}{4}$, Grade-8 each	.3
24	SCP-40	Clamp Plate and Stud Bolt	1
25	SCP-41	Bolt - $\frac{1}{2}$ x $4 \frac{1}{4}$, Grade 8, Clamp Bolt	.3
26	SCP-42	Bolt - $\frac{3}{8}$ x $2 \frac{3}{4}$ - Lower Spring Cup Frame	.3
27	SCP-43	Bolt - $\frac{1}{2}$ x $1 \frac{1}{2}$ - Shank to Cup Frame, Grade 5	.3
28	SCP-44	Nut - $\frac{1}{2}$ "	.3
29	SCP-45	Jam Nut - For Spring Bolt	.3

Domries Enterprises Inc.
12281 Road 29
Madera, CA. 93638
Phone (559) 673-9143
Fax (559) 673-4110