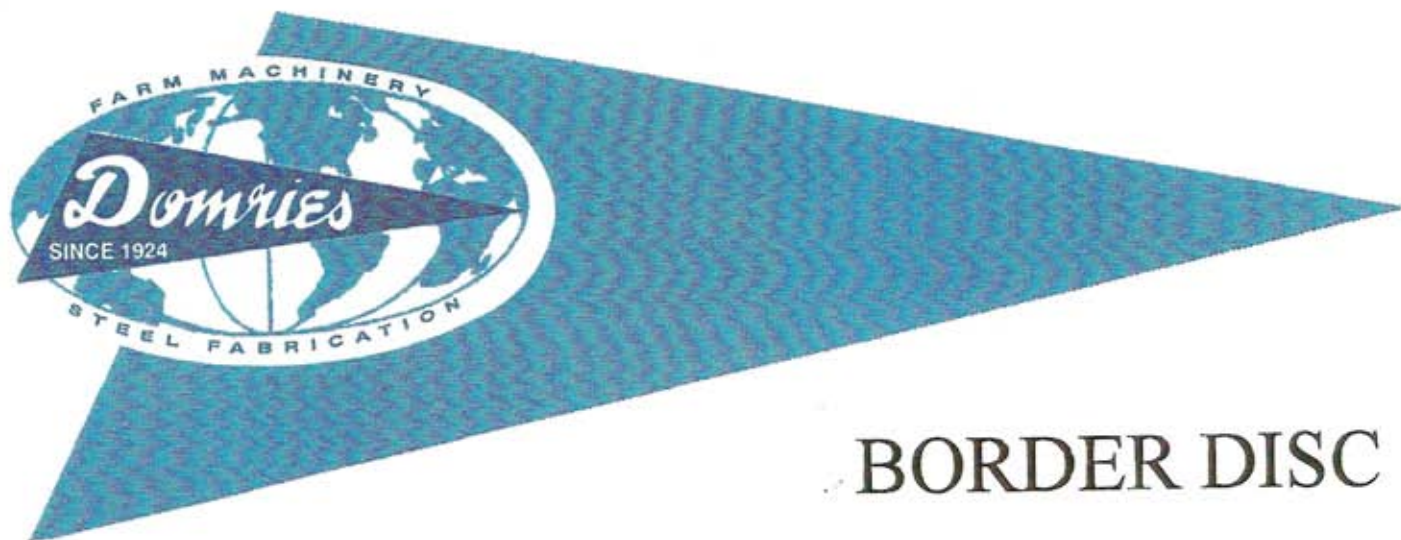


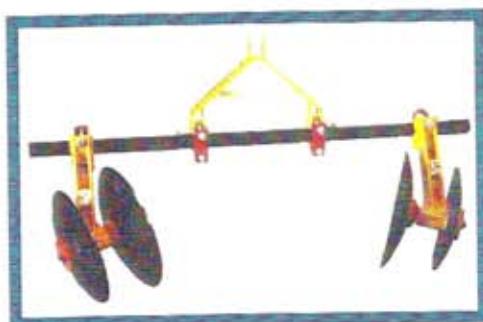
# **BORDER MAKERS**

**BD-242**

**BORDER DISC- 1 1/8" SQ  
2 BLADE, FIXED**



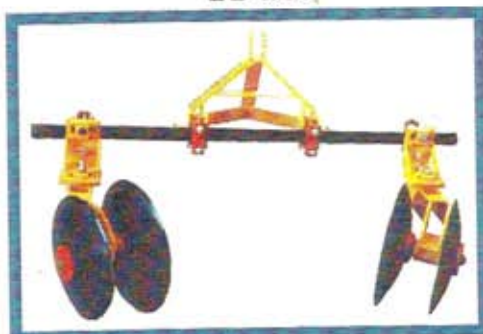
## BORDER DISC



**BD-242**



**BD-264**



**BD-342**



**BD-364**



**BD-420**



**BD-642**

**DOMRIES ENTERPRISES, INC.:**

12281 Road 29

Madera, California 93638

Phone (559) 673-9143 • FAX (559) 673-4110

Visit our Web-Site at <http://www.domries.com>



High Quality  
Farm Machinery  
Since 1924



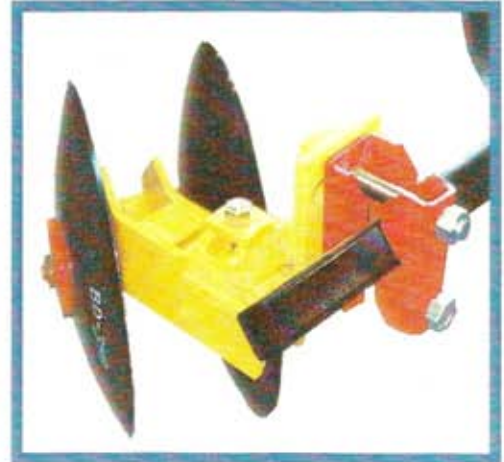
# DOMRIES BORDER DISCS



Model 420 & 642 Non  
Slip Rack Adjustment  
for Pitch Tilt



Bearing Housing for  
Non-Adjustable Border  
Disc



Bearing Housing for  
Adjustable Border Disc  
BD-642

MODEL NO.	DESCRIPTION	DISC BLADES	GANG ROD	APPROX. WT. LBS.
BD-242	Non Adjustable	2-22" and 2-24"	1 1/8sq.	220
BD-264	Non Adjustable	2-22" and 2-26"	1 1/2sq.	330
BD-420	Adjustable	2-20", 2-22" and 2-24"	1 1/8sq.	355
BD-642	Adjustable	2-22", 2-24" and 2-26"	1 1/2sq.	470
BD-342	Adjustable	2-22" and 2-24"	1 1/8sq.	308
BD-364	Adjustable	2-24" and 2-26"	1 1/2sq.	380

**DOMRIES ENTERPRISES, INC.**

12281 Road 29

Madera, California 93638

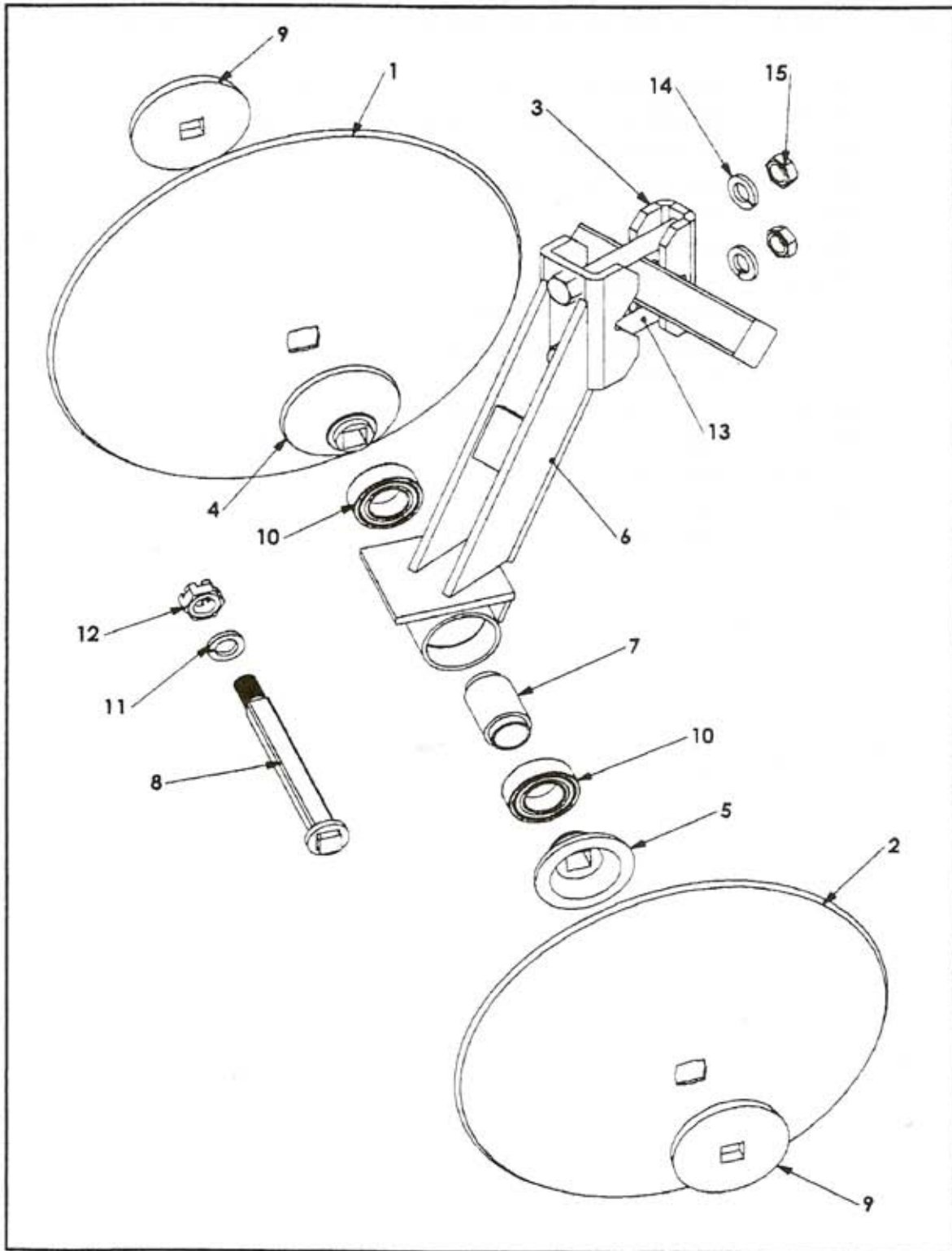
Phone (559) 673-9143 • FAX (559) 673-4110

Visit our Web-Site at <http://www.domries.com>



High Quality  
Farm Machinery  
Since 1924

**MODEL - BD - 242**



**BD - 242 RIGHT HAND GANG ASSEMBLY**

**MODEL - BD-242**

<b>Ref #</b>	<b>Part #</b>	<b>Right Hand Assembly</b>	<b>Wt./lb</b>	<b>List Price</b>
1	20-5016	24dx7ga std sld edge dsc blade	23.59	
2	20-4431	22dx7ga std sld edge dsc blade	19.44	
3	ACC-4	Cap Clamp, 2-1/4sq	4.5	
4	BB-2	Half Spool - CCV, 1-1/8sq	3.5	
5	BB-3	Half Spool - CVX, 1-1/8	4	
6	BD-4210	Arm Weldment - R.H.	37	
7	BD-4213	Spacer - Gng, 1-1/8 Brg.	2	
8	GR-2S	Gang Rod, 1-1/8 sq, 2 Blade	4.5	
9	J57-S	End Washer - Universal, 1-1/8sq	5	
10	K85	Brg 1-1/8sq, Sealed	1.8	
11	LW118	Lockwasher- Spring, 1-1/8nom	0.1	
12	SN118	Slotted Nut, 1-1/8nc, Hex	0.3	
13	CS1712-5	Bolt- 1"ncx7-1/2lg	2.5	
14	LW1	Lockwasher-Spring, 1"nom	0.1	
15	N1	Nut, 1"nc	0.1	

**DOMRIES ENTERPRISES INC.**

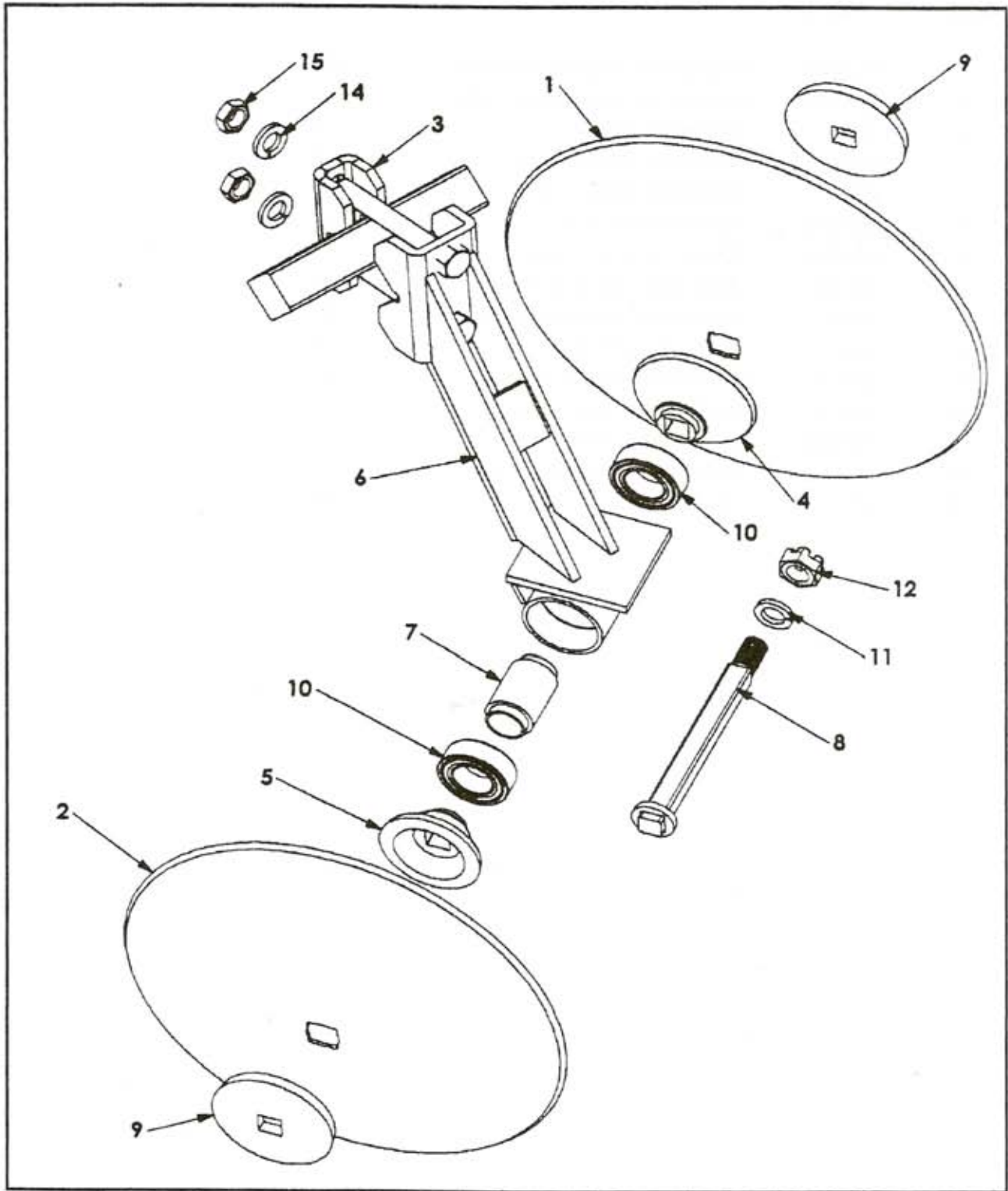
12281 Road 29

Madera, California 93638

Phone (559) 673-9143 Fax (559) 673-4110

<http://www.domries.com>

**MODEL - BD - 242**



**BD - 242 LEFT HAND GANG ASSEMBLY**

**MODEL - BD-242**

<b>Ref #</b>	<b>Part #</b>	<b>Left Hand Assembly</b>	<b>Wt./lb</b>	<b>List Price</b>
1	20-5016	24dx7ga std sld edge dsc blade	23.59	
2	20-4431	22dx7ga std sld edge dsc blade	19.44	
3	ACC-4	Cap Clamp, 2-1/4sq	4.5	
4	BB-2	Half Spool - CCV, 1-1/8sq	3.5	
5	BB-3	Half Spool - CVX, 1-1/8	4	
6	BD-4211	Arm Weldment - L.H.	37	
7	BD-4213	Spacer - Gng, 1-1/8 Brg.	2	
8	GR-2S	Gang Rod, 1-1/8 sq, 2 Blade	4.5	
9	J57-S	End Washer - Universal, 1-1/8sq	5	
10	K85	Brg 1-1/8sq, Sealed	1.8	
11	LW118	Lockwasher- Spring, 1-1/8nom	0.1	
12	SN118	Slotted Nut, 1-1/8nc, Hex	0.3	
13	CS1712-5	Bolt- 1"ncx7-1/2lg	2.5	
14	LW1	Lockwasher-Spring, 1"nom	0.1	
15	N1	Nut, 1"nc	0.1	

**DOMRIES ENTERPRISES INC.**

12281 Road 29

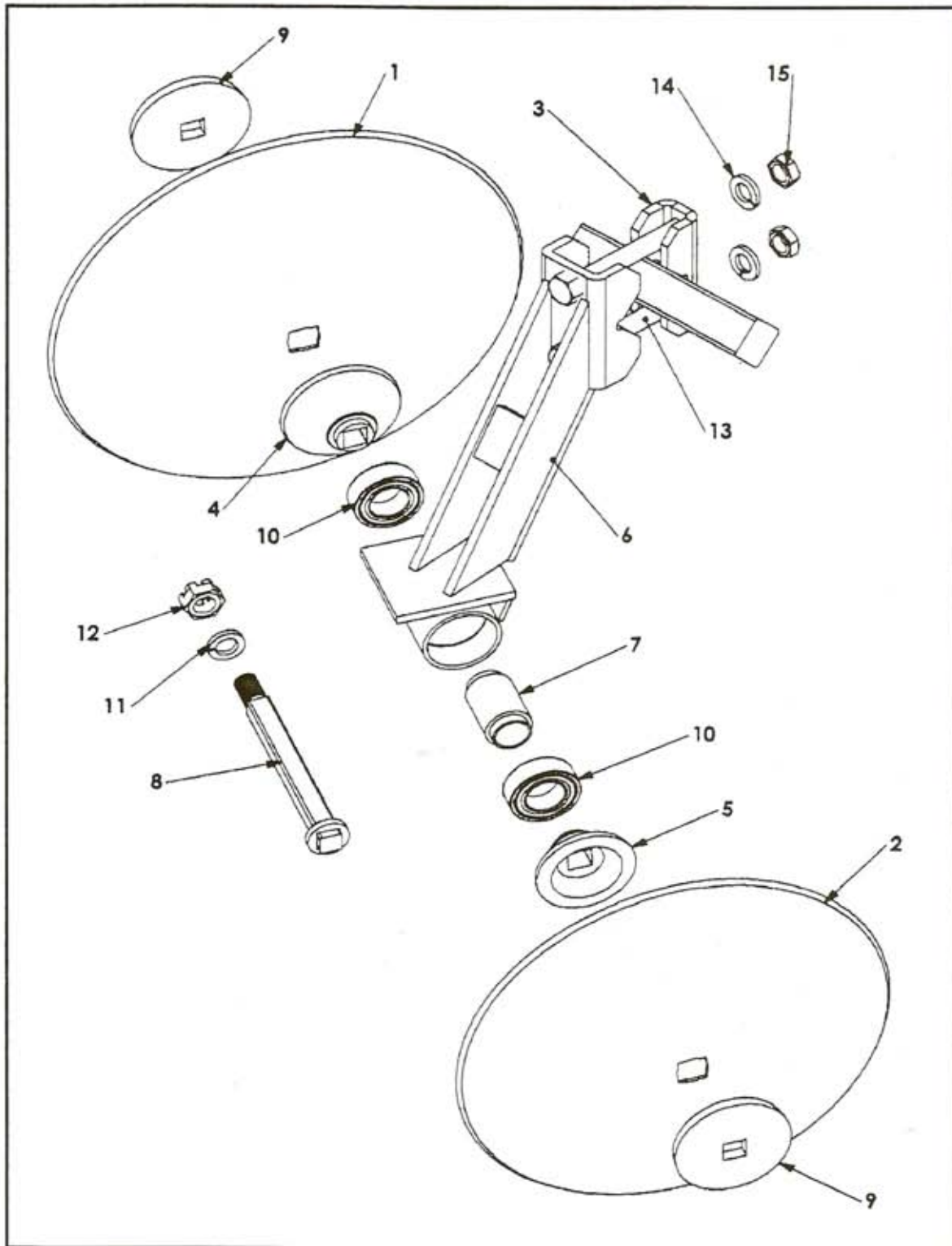
Madera, California 93638

Phone (559) 673-9143 Fax (559) 673-4110

<http://www.domries.com>



**MODEL - BD - 242**



**BD - 242 RIGHT HAND GANG ASSEMBLY**



**MODEL - BD-242**

<b>Ref #</b>	<b>Part #</b>	<b>Left Hand Assembly</b>	<b>Wt./lb</b>	<b>List Price</b>
1	20-5016	24dx7ga std sld edge dsc blade	23.59	
2	20-4431	22dx7ga std sld edge dsc blade	19.44	
3	ACC-4	Cap Clamp, 2-1/4sq	4.5	
4	BB-2	Half Spool - CCV, 1-1/8sq	3.5	
5	BB-3	Half Spool - CVX, 1-1/8	4	
6	BD-4211	Arm Weldment - L.H.	37	
7	BD-4213	Spacer - Gng, 1-1/8 Brg.	2	
8	GR-2S	Gang Rod, 1-1/8 sq, 2 Blade	4.5	
9	J57-S	End Washer - Universal, 1-1/8sq	5	
10	K85	Brg 1-1/8sq, Sealed	1.8	
11	LW118	Lockwasher- Spring, 1-1/8nom	0.1	
12	SN118	Slotted Nut, 1-1/8nc, Hex	0.3	
13	CS1712-5	Bolt- 1"ncx7-1/2lg	2.5	
14	LW1	Lockwasher-Spring, 1"nom	0.1	
15	N1	Nut, 1"nc	0.1	

**DOMRIES ENTERPRISES INC.**

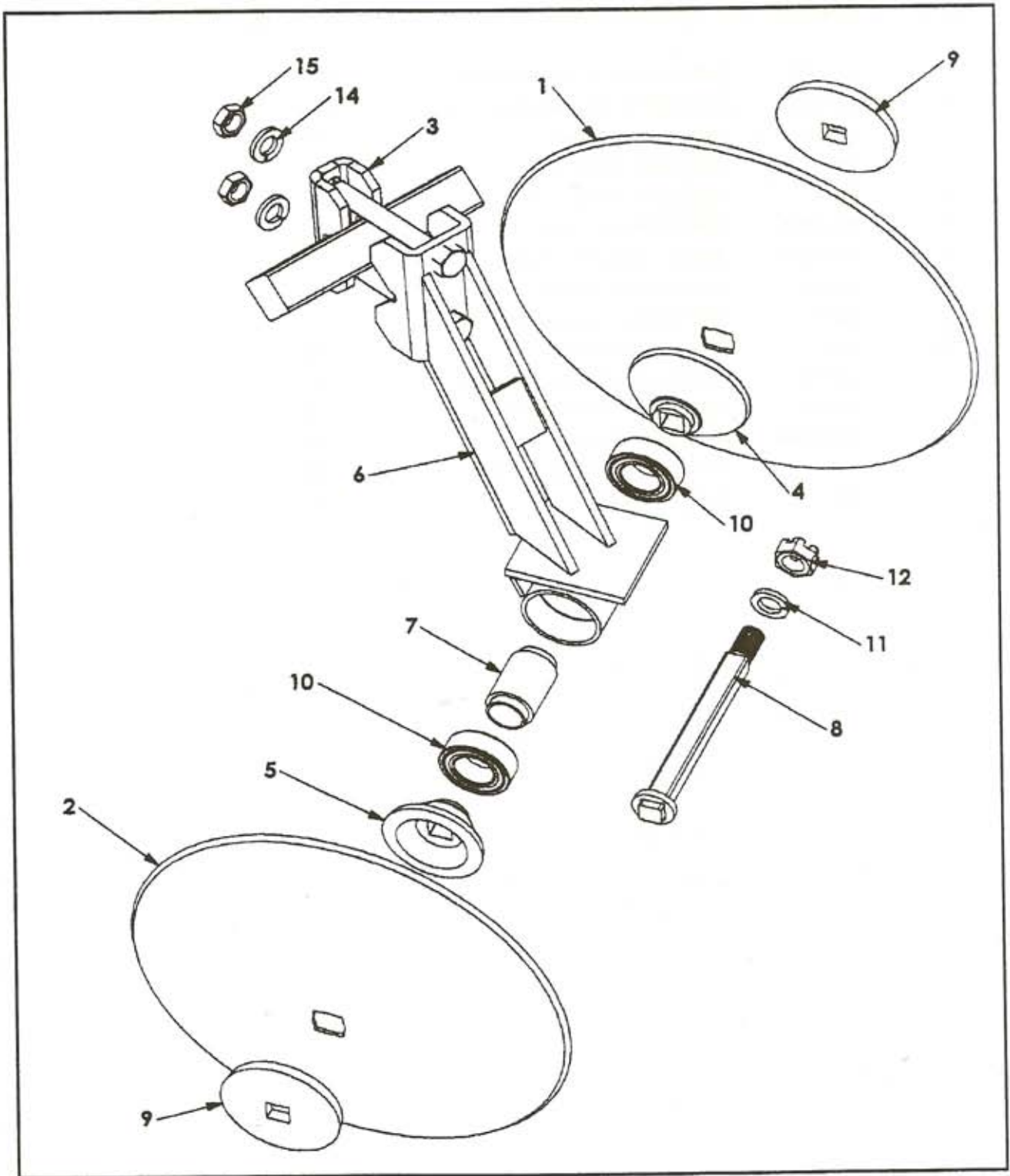
12281 Road 29

Madera, California 93638

Phone (559) 673-9143 Fax (559) 673-4110

<http://www.domries.com>

**MODEL - BD - 242**



**BD - 242 LEFT HAND GANG ASSEMBLY**

**MODEL - BD-242**

<b>Ref #</b>	<b>Part #</b>	<b>Right Hand Assembly</b>	<b>Wt./lb</b>	<b>List Price</b>
1	20-5016	24dx7ga std sld edge dsc blade	23.59	
2	20-4431	22dx7ga std sld edge dsc blade	19.44	
3	ACC-4	Cap Clamp, 2-1/4sq	4.5	
4	BB-2	Half Spool - CCV, 1-1/8sq	3.5	
5	BB-3	Half Spool - CVX, 1-1/8	4	
6	BD-4210	Arm Weldment - R.H.	37	
7	BD-4213	Spacer - Gng, 1-1/8 Brg.	2	
8	GR-2S	Gang Rod, 1-1/8 sq, 2 Blade	4.5	
9	J57-S	End Washer - Universal, 1-1/8sq	5	
10	K85	Brg 1-1/8sq, Sealed	1.8	
11	LW118	Lockwasher- Spring, 1-1/8nom	0.1	
12	SN118	Slotted Nut, 1-1/8nc, Hex	0.3	
13	CS1712-5	Bolt- 1"ncx7-1/2lg	2.5	
14	LW1	Lockwasher-Spring, 1"nom	0.1	
15	N1	Nut, 1"nc	0.1	

**DOMRIES ENTERPRISES INC.**

12281 Road 29

Madera, California 93638

Phone (559) 673-9143 Fax (559) 673-4110

<http://www.domries.com>