

SERIES

AFC

**PARTS
AND
OPERATER
MANUAL**

A Frame

Heavy Duty

CAT.#0

CAT.#1

CAT.#2

Domries Enterprises,Inc

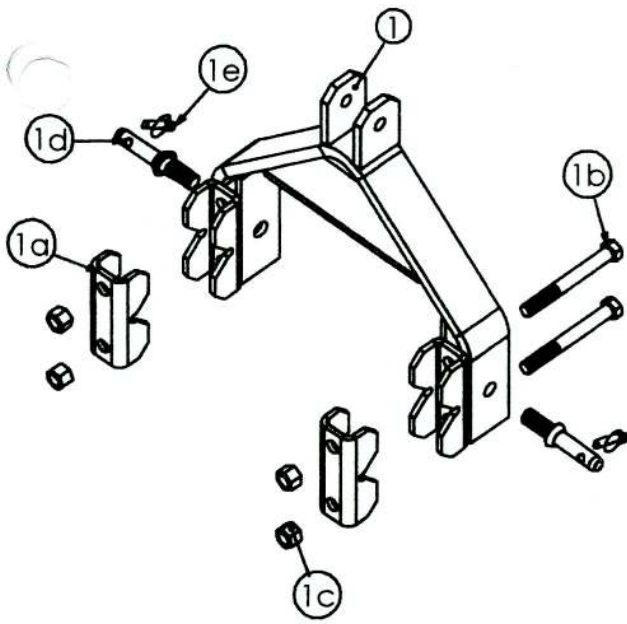
12281 Rd 29

Madera, Ca 93638

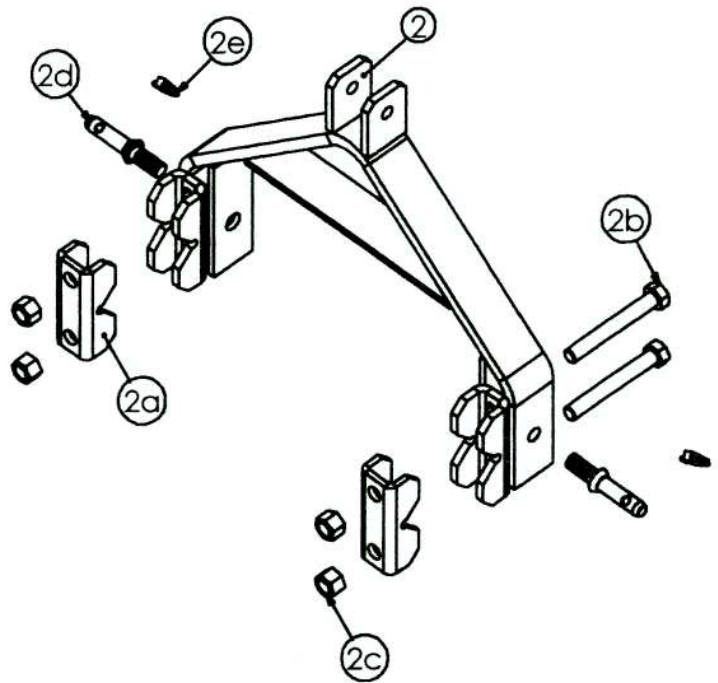
Phone (559) 673-9143 Fax (559) 673-4110

Visit our Web -Site at www.domriesentinc.com

AFC-102



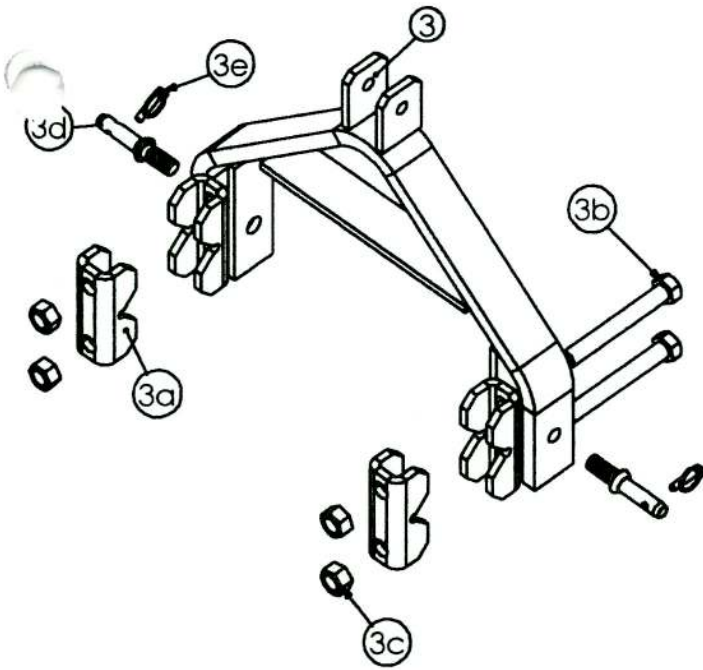
AFC-103



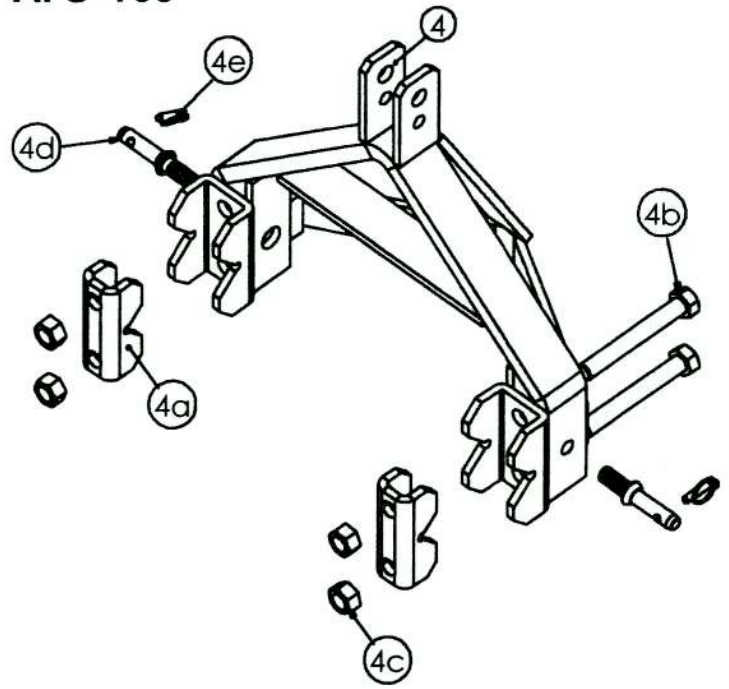
A - FRAME

REF#	PART #	DESCRIPTION	WT/LB.
1	AFC-102	A-FRAME WELDMENT (SMALL TRI.)	58.0 LBS.
1a	ACC-2	CAP - CLAMP	2.5 LBS.
1b	CS34612-5	BOLT - 3/4" NC. X 6 1/2" LG. GR. 5	N/A
1c	N34	NUT - 3/4" NC. HEX.	N/A
1d	ALP-2	LIFT PIN - CAT I 7/8" DIA. X 6 LG.	0.5 LBS.
1e	ALP-10	KLICK PN - 7/16"	0.1 LBS.
2	AFC-103	A FRAME WELDMENT (LIGHT DUTY)	74.0 LBS.
2a	ACC-3	CAP - CLAMP	N/A
2b	CS78612-5	BOLT - 3/4" NC. X 6 1/2" LG. GR. 5	N/A
2c	N78	NUT - 7/8" NC. HEX.	N/A
2d	ALP-2	LIFT PIN - CAT I 7/8" DIA. X 6" LG.	0.5 LBS.
2e	ALP-10	KLICK PIN 7/16"	0.1 LBS.

AFC-104

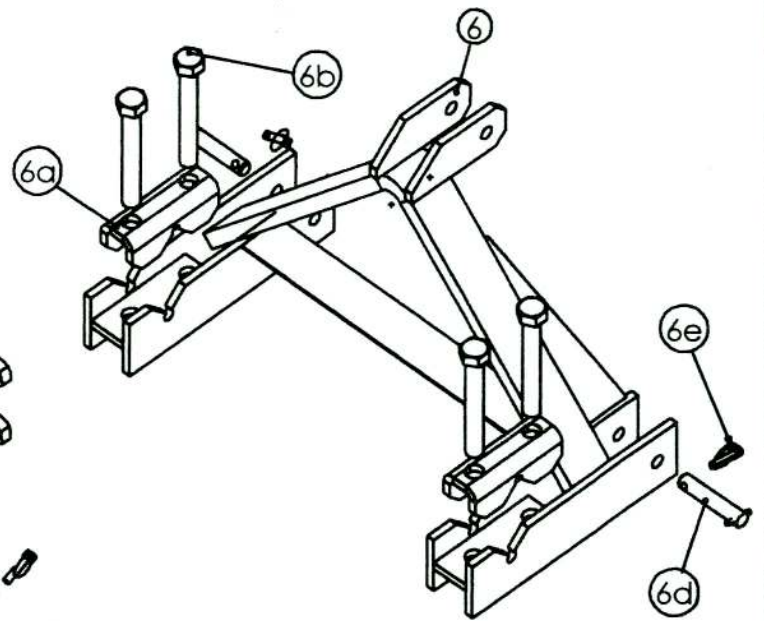
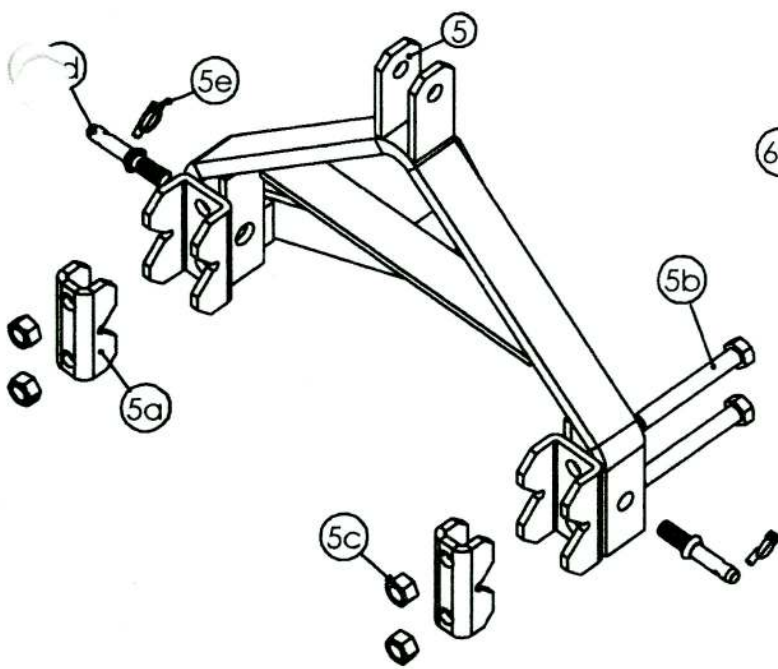


AFC-105



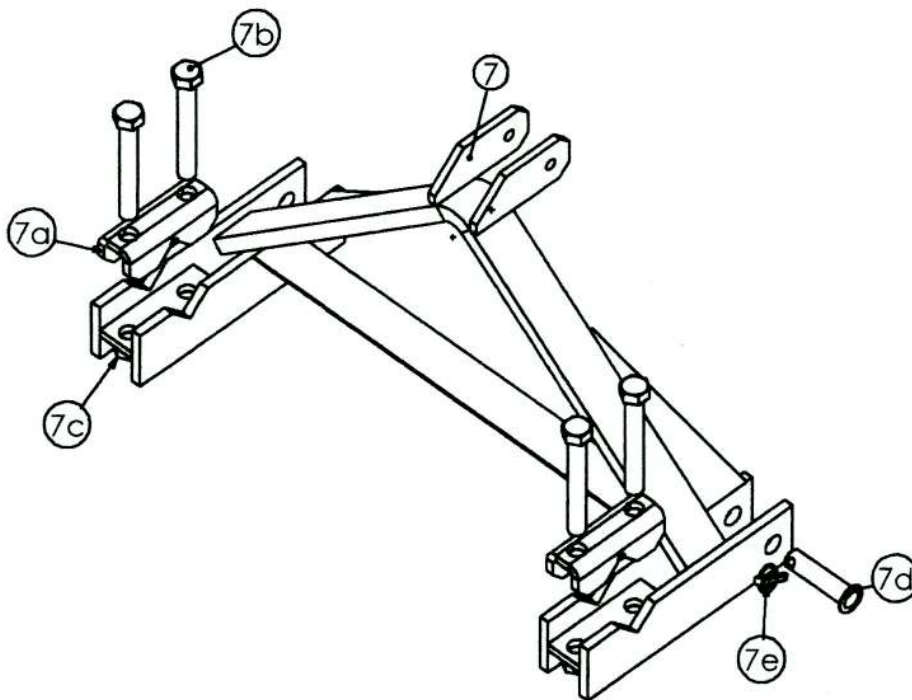
A - FRAME

REF#	PART #	DESCRIPTION	WT/LB.
3	AFC-104	A-FRAME WELDMENT CAT I (MEDIUM DUTY)	86.0 LBS.
3a	ACC-4	CAP - CLAMP 2 1/4" SQ. TB.	4.5 LBS.
3b	CS1712-5	BOLT - 1" NC. X 7 1/2" LG. GR. 5	N/A
3c	N1	NUT - 1" NC. HEX.	N/A
3d	ALP-2	LIFT PIN - CAT I - 7/8" DIA. X 6 LG.	0.5 LBS.
3e	ALP-10	KLICK PIN - 7/16"	0.1 LBS.
4	AFC-105	A-FRAME WELDMENT CAT I (HEAVY DUTY)	93.5 LBS.
4a	ACC-4	CAP - CLAMP 2 1/4" SQ. TB.	4.5 LBS.
4b	CS1712-5	BOLT - 1" NC. X 7 1/2" LG. GR. 5	N/A
4c	N1	NUT - 1" NC. HEX.	N/A
4d	ALP-6	LIFT PIN - CAT II, 1 1/8" DIA. 6" LG.	1.5 LBS.
4e	ALP-10	KLICK PIN 7/16"	0.1 LBS.

AFC-106**AFC-107****A - FRAME**

REF#	PART #	DESCRIPTION	WT/LB.
5	AFC-106	A-FRAME WELDMENT CAT II (HEAVY DUTY)	124.0 LBS.
5a	ACC-4	CAP - CLAMP 2 1/4" SQ. TB.	4.5 LBS.
5b	CS1712-5	BOLT - 1" NC. X 7 1/2" LG. GR. 5	N/A
5c	N1	NUT - 1" NC. HEX.	N/A
5d	ALP-6	LIFT PIN - CAT II, 1 1/8" DIA. X 6" LG.	1.5 LBS.
5e	ALP-10	KLICK PN - 7/16"	0.1 LBS.
6	AFC-107	A FRAME WELDMENT CAT I (XTRA HEAVY DUTY)	150.0 LBS.
6a	ACC-4	CAP - CLAMP 2 1/4" SQ. TB.	4.5 LBS.
6b	CS1712-5	BOLT - 1" NC. X 7 1/2" LG. GR. 5	N/A
6c	N1	NUT - 1" NC. HEX.	N/A
6d	ALP-7	LIFT PIN - CAT I, BRIDGE TYPE	1.5 LBS.
6e	ALP-10	KLICK PIN-7/16"	0.1 LBS.

AFC-108



A - FRAME

REF#	PART #	DESCRIPTION	WT/LB.
7	AFC-108	A-FRAME WELDMENT (XTRA HEAVY DUTY)	160.0 LBS.
7a	ACC-4	CAP - CLAMP 2 1/4" SQ. TB.	4.5 LBS.
7b	CS1712-5	BOLT - 1" NC. X 7 1/2" LG. GR. 5	N/A
7c	N1	NUT - 1" NC. HEX.	N/A
7d	BLD68	LIFT PIN - CAT II	1.5 LBS.
7e	ALP-10	KLICK PN - 7/16"	0.1 LBS.